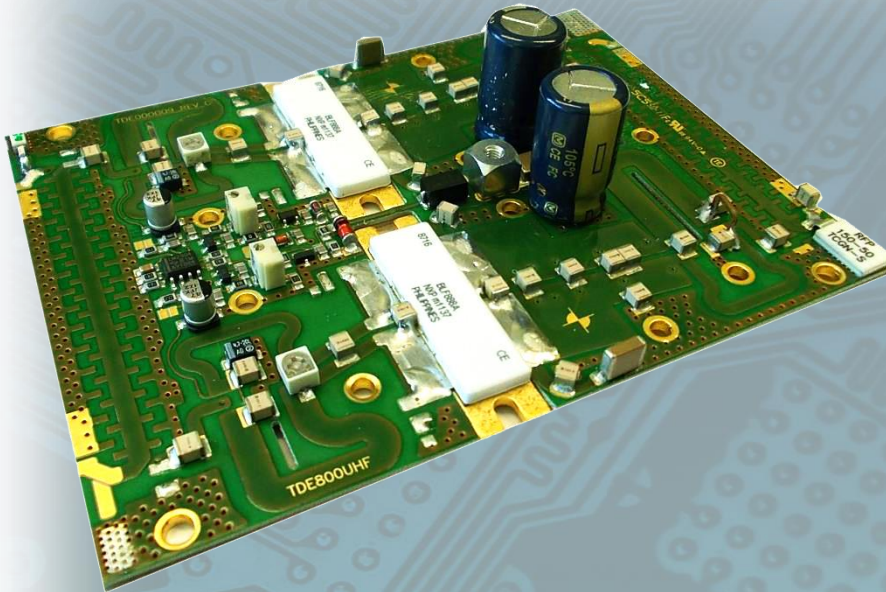


Broadcasting



TDE800UHF

Characteristics

TDE800UHF

is a broadband UHF high power amplifier, based on BLF888A LDMOS device in a SOT539A ceramic package.

TDE800UHF

works in AB class and it is able to cover the whole frequency band 470-862 MHz.

MAIN FEATURES

- High Ruggedness
- High Gain
- High Efficiency
- High Linearity

DVB-T/T2 Performance Summary

Parameter	Min.	Typ.	Max.	Units	Note
Power	150	180		W_{rms}	
Frequency Range	470		862	MHz	
Gain	17	19		dB	
Input Return Loss		-15		dB	
Voltage Supply		48	50	V_{dc}	
Bias Current		2.6		A	
Shoulders Level	-30			dB _c	(*)
Efficiency	20			%	(**)



tde@tdeitaly.com



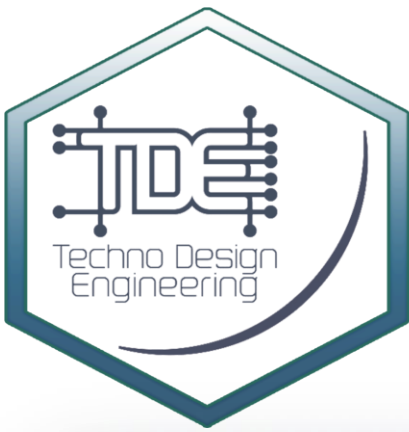
www.tdeitaly.com



(+39) 0765484028



TDE - Techno Design Engineering
Via Tiberina, 49
00065 Fiano Romano (RM), Italy



Broadcasting

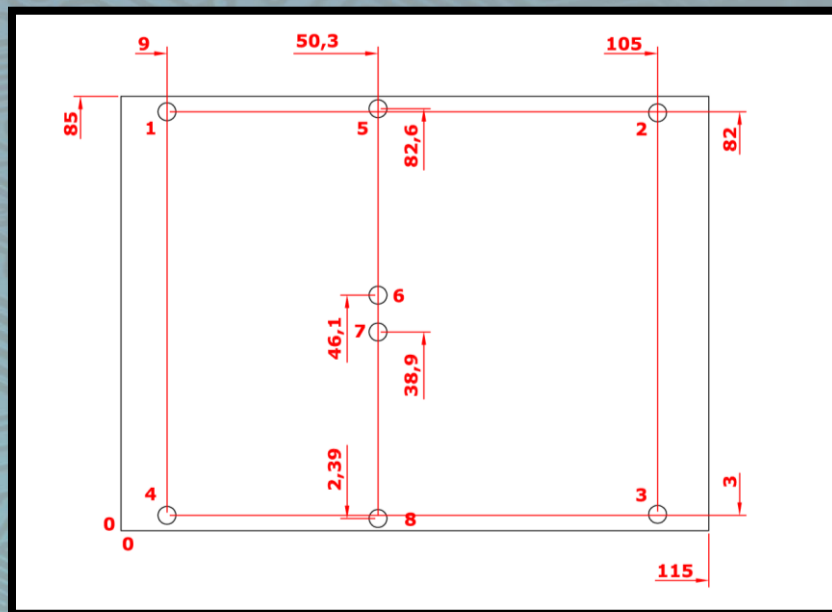
Notes

- (*) The shoulder level is referred to typical power out
- (**) The efficiency is referred to typical power out

Screws Type

- **Screws point 1-2-3-4-5-6-7-8**
M3 socket head cap screws
+ 8 split lock washers WZ \varnothing 3.5
+ 8 flat washers WZ \varnothing 3.5

Mechanical Specifications



TDE reserve the right to make changes to the product(s) or information contained herein without notice. TDE doesn't assume responsibility for any errors which may appear in this document. Warranty information applicable to the product identified here in is available upon request. Nothing contained herein shall constitute a warranty, representation or guarantee of any kind. TDE expressly disclaims all other warranties, express and/or implied including but not limited to warranties of merchantability, and of fitness for a particular purpose, use or application.

No part of this document may be copied or reproduced in any form or by any means without the prior written consent of TDE.



tde@tdeitaly.com



www.tdeitaly.com



(+39) 0765484028



TDE - Techno Design Engineering
Via Tiberina, 49
00065 Fiano Romano (RM), Italy